



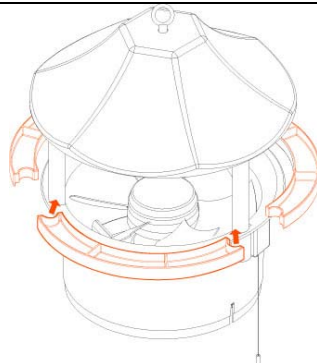
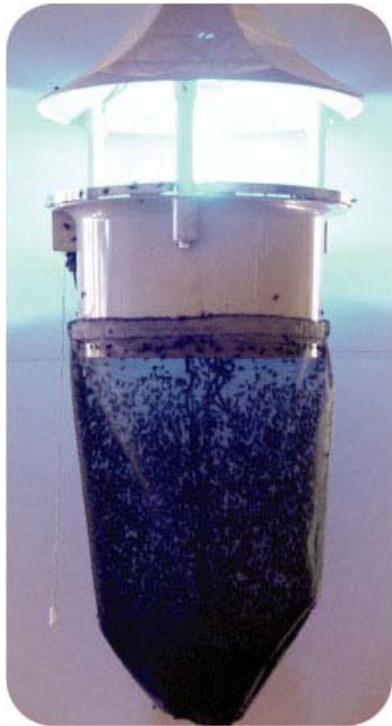
FLYCATCHER (PU-098)

42-2 SEONPYUNGRI, SEOMYUN, SUNCHON, JEONNAM, KOREA

Tel: +82-61-759-5193 Fax: +82-61-755-7700 Email: nicolas@paru.co.kr

Do you need an Environment friendly way to catch flies and flying insects?

Our innovative FlyCatcher PU-098 is to catch contagious and harmful flies with a luring lamp, bait tray, electric motor and powerful fan. Compared to traditional ways of spraying harmful chemical, etc. PU-098 utilizes physiological reaction of flies and flying insects. Dual mesh trap and automatic close blades keep the enemies in the trap.



Bait Tray

Three (3) trays made out of plastic are assembled each other.

Lure Lamp

Durable three wavelength lamp

Automatic close fan blades

In case power gets off, blades block flies from flying out.

Tested for three (3) days in pig breeding house



1 day



2 days



3 days

※ TECHNICAL SPECIFICATIONS

Dimensions	350 x 350 x 420 (mm)
Weight	4KGS
Voltage / Frequency	220V / 50-60Hz
Power consumption	50W
Fan blade	250mm diameter

